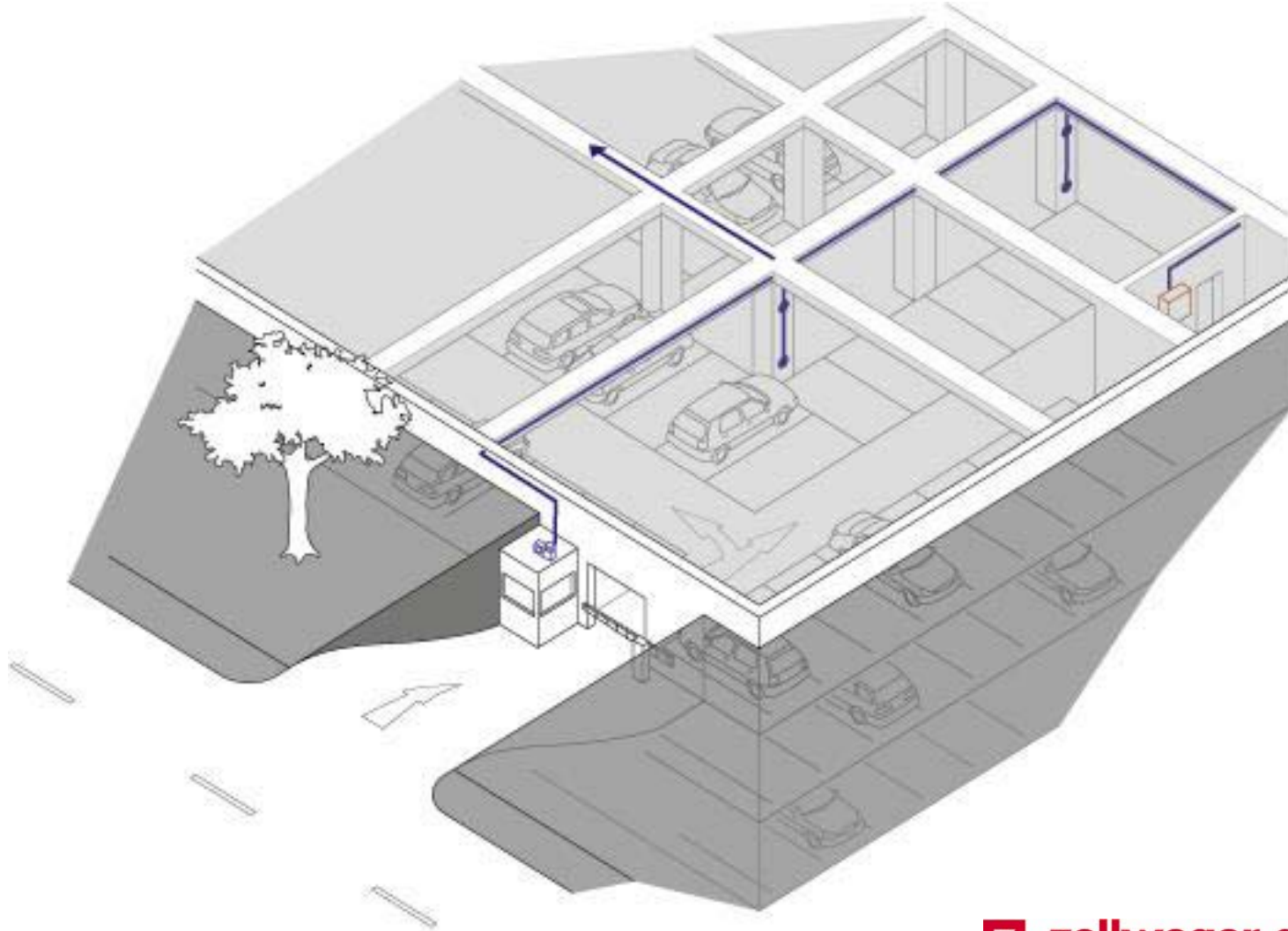


Target Application: Car Parks

Zareba Product Overview



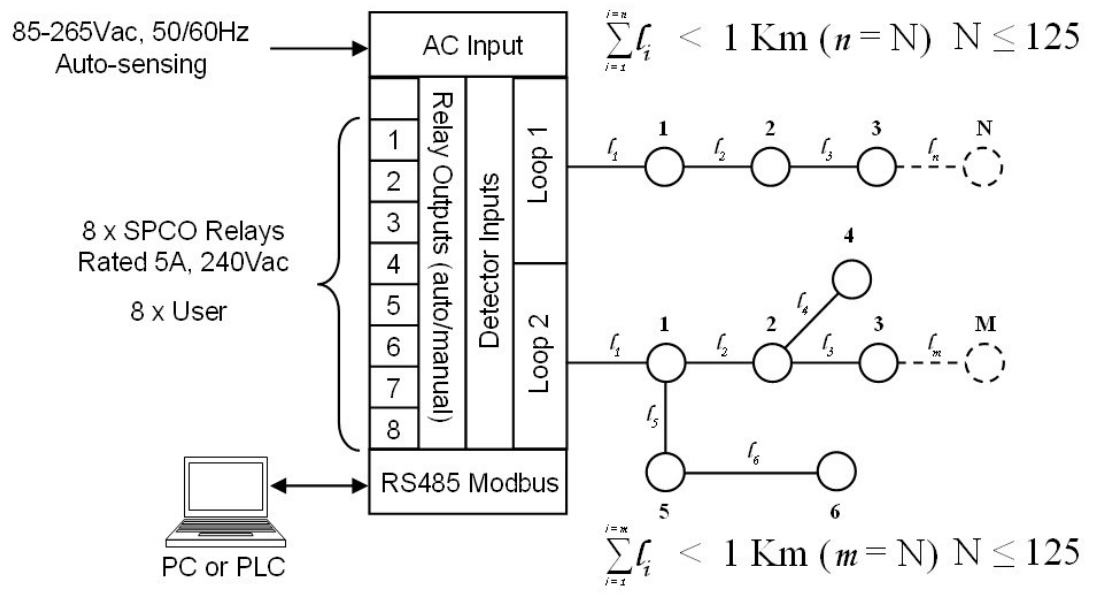
Metro Controller

Zareba Product Overview



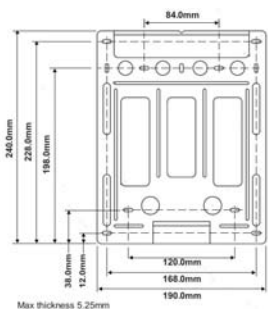
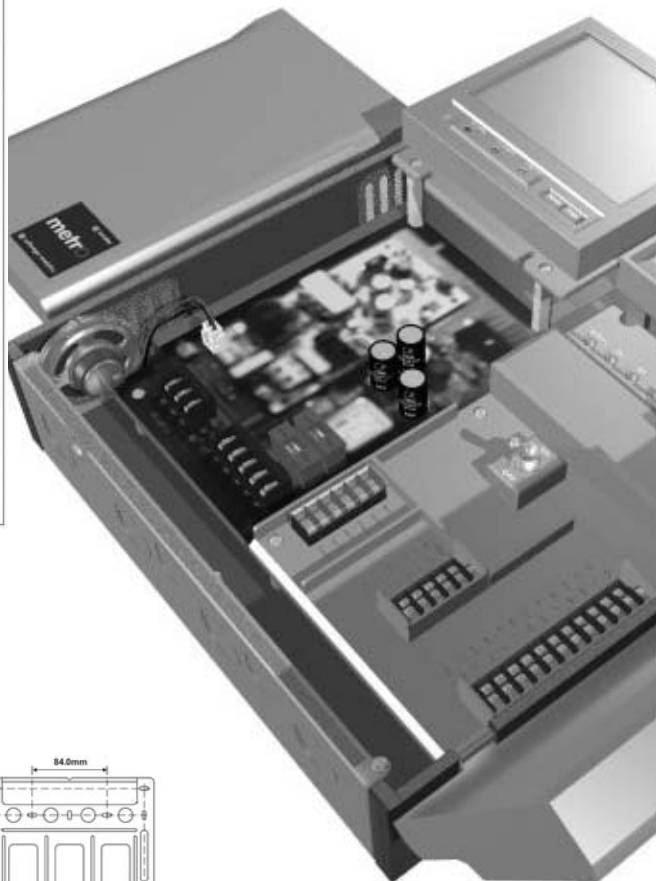
- **Self contained, stand alone controller**

- Slim line, wall mounted, with universal AC operation
- Addressable alarm system, like fire detection system
- 2 x 125 field devices, each input up to 1Km
- Ultra-clear backlit display with icon driven menu configuration
- Easy access to all terminal for convenient installation



User Friendly Installation

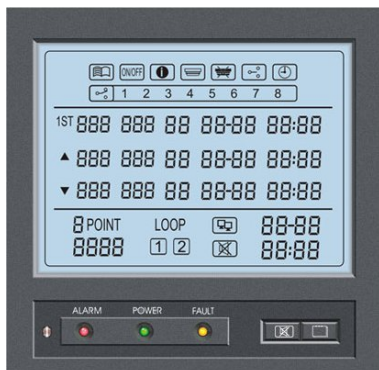
Zareba Product Overview



- **Wall mounting bracket supplied**
 - Used as a template for drilling
 - Reduces risk of damage to controller
 - Controller 'locked' to bracket after fitting
- **Pre-formed knockouts in gland plate**
 - M20 & 3/4" NPT clearance as standard
 - No need for drilling of enclosure (swarf)
- **'Lockable' system for access control**
 - Normal User, Supervisor, Service Engineer
- **Large terminal compartment**
 - Unhindered access to terminals
 - Plenty of space to complete installation
- **Local instructions included on label**
 - Includes 'supplied by' and 'last checked'

'Normal' User Operation

Zareba Product Overview



- **Powder blue, auto-backlit display**
 - Excellent contrast and viewing angle
 - Can be seen in dark, poorly lit environments
- **Status indication clearly communicated**
 - Number points connected, date & time
 - Power, alarm, fault and relay status icons with LEDs & audible alarm
 - Address, gas type, alarm, date & time of alarms with 'page' function
- **Event recording included as standard**
 - Enables review of alarm, fault and power history
 - Time and date of on/off operation logged
- **Simple pushbutton operation (Normal User)**
 - Momentary press to silence alarms
 - Press & hold to clear historical alarms (active alarms remain)
 - Momentary press to 'page' through (A)larm, (R)elay & (F)ault display
 - Further options to review information available to Supervisor
- **Typical system will be 'automatic'**