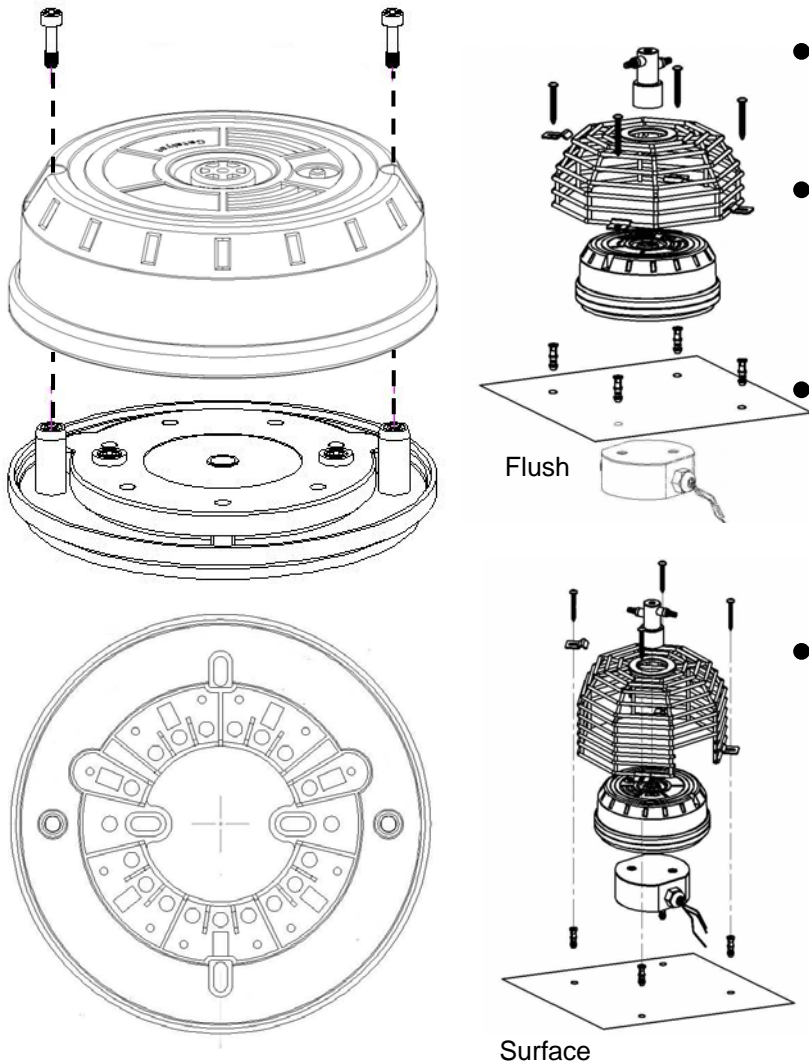


Simplified Installation

Zareba Product Overview



- **Standard supply includes**
 - Detector, base and vandal proof guard
- **Base design offers flexible mounting**
 - Surface mounting or flush mounting
 - Correct Vandal Proof Guard must be fitted
- **Reduced installation costs**
 - Base allows for termination of multiple cables
 - In, out & spur may all be terminated in the base
 - Removes need for additional junction boxes
- **Industry standard cables used**
 - E.g. Pirelli FP200 Gold or Pirelli LSX Screened
 - 1mm² cable suitable for 1Km installed distance with up to 125 detectors fitted
 - No need for 'booster' power supplies