

Sensepoint Plus



- **Flammable & toxic gas detector**
 - Industry standard 3 wire 4-20mA source output

Gas		Measuring Range		
Ident	Name	1 [#]	2	3
F	Flammable	0-100%LEL		
O	Oxygen	0-25%VOL		
C	Carbon Monoxide	0-200ppm	0-500ppm	
H	Hydrogen Sulfide	0-50ppm	0-20ppm	0-100ppm
G	Hydrogen	0-1000ppm		

[#] Standard range

- **Approved to ATEX, UL and CSA standards***
 - Explosion proof Class 1, Div 1, Groups B, C, D
 - EEx II 2 G D EExd IIC T6
 - T_{amb} -20°C to +50°C
- **Supplied complete with**
 - ¾" NPT and M20 entries, bracket, weatherproof cover, Allen keys and wrench (not shown)

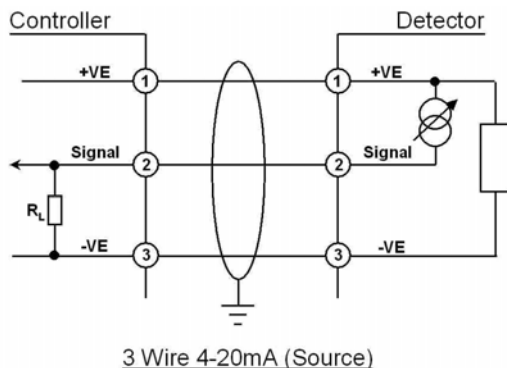


Convenience of Operation

Zareba Product Overview

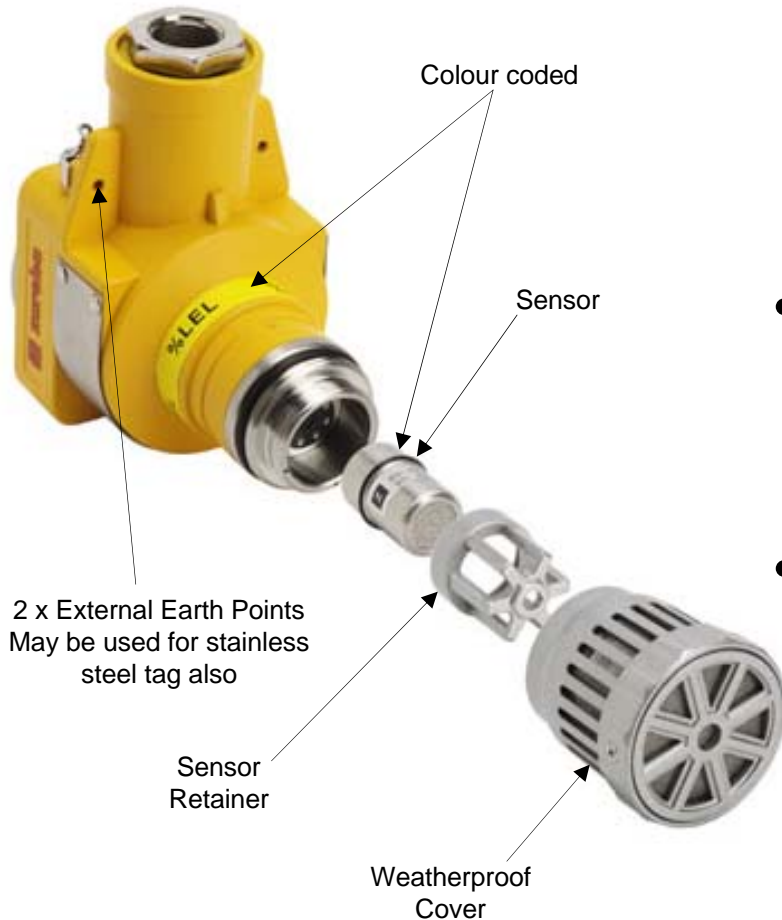


- **Screw on top cover with hanging chain**
 - Frees both hands for installation
 - Enables unhindered access to terminals
- **Industry standard output**
 - Built in amplifier providing 3 wire 4-20mA output (source)
- **One man, local operation & configuration**
 - Configurable local ‘inhibit’ switch clamps output
 - 2mA/4mA for flammable or toxic
 - 2mA/17.4mA for oxygen
 - Removes risk of false alarms during maintenance
 - May be used with Touchpoint controllers or PLCs
- **Test points activated while in ‘inhibit’ mode**
 - No need to ‘break’ installed wiring for calibration
 - Zero and Span pots allow adjustment locally
- **Standard wiring configuration**
 - 1 to 1, 2 to 2, 3 to 3 (detector to Touchpoint controllers)
 - Common to all Industrial Detectors in Zareba range



Maintenance Made Easy

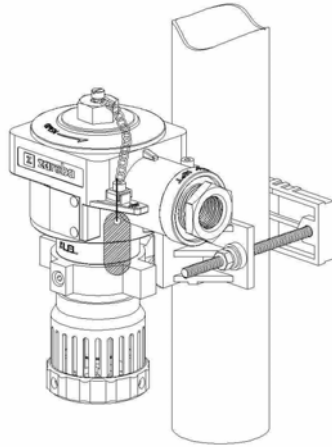
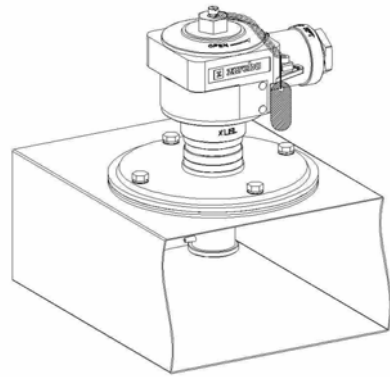
Zareba Product Overview



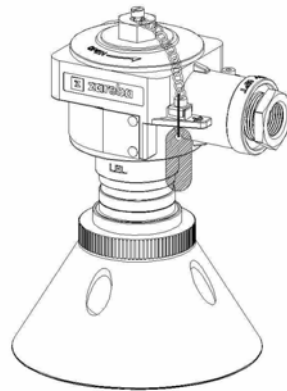
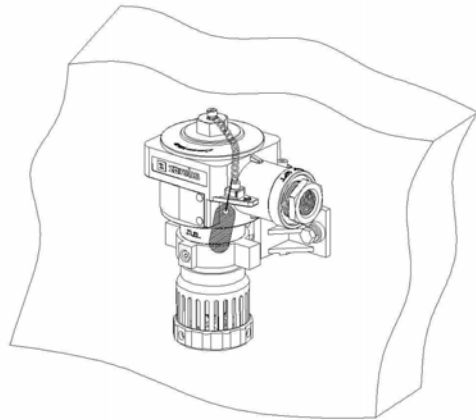
- **While ‘inhibited’...**
 - Zero, span calibration and sensor replacement
 - No ‘special’ tools required
 - Multi-meter, instrument screwdriver, Allen key
 - No false alarms to controller
- **Sensor replacement**
 - External plug in sensor
 - Colour coded to the detector to minimise error
 - Common to Plus and Pro reduces spares holding
- **Intrusive operation**
 - ‘Hot work’ permit required
 - Local site procedures to be followed

Flexible Mounting Arrangement

Zareba Product Overview



- **Wall mount & pole mount**
 - Bracket included with every unit
- **Collecting cone**
 - Replaces weatherproof cover
 - Includes inlet for remote gassing
- **Duct mount arrangement**
 - Clamping ring for duct
 - Removable plate attaches to ring
 - Detector attaches to the plate
 - External inlet for remote gassing



**Easy to install, use and maintain
in a variety of installations**