

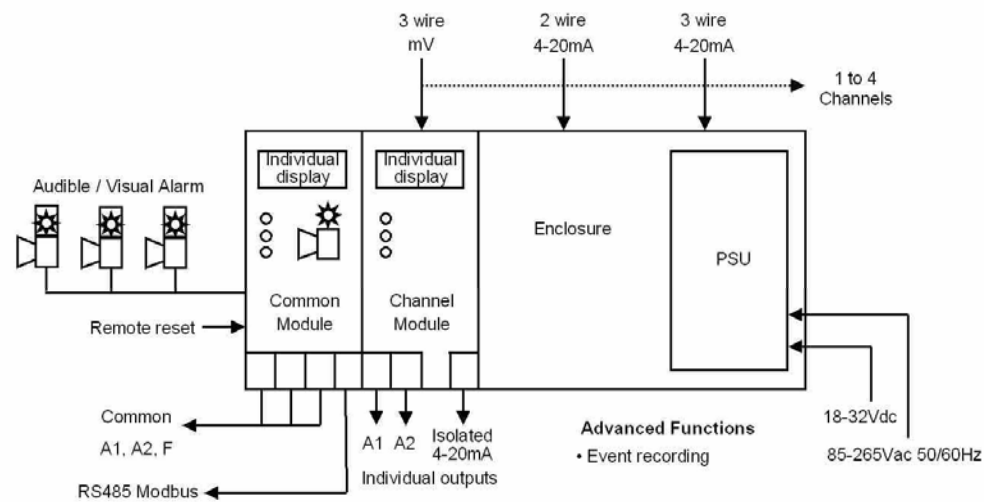
# Touchpoint 4 Controller

Zareba Product Overview



- **Self contained, stand alone controller**

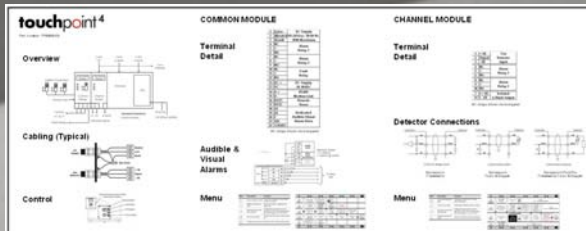
- Slim line wall, mounted enclosure with universal operation
- Up to 4 inputs (mV or mA) each with comprehensive outputs
- Common display module providing system level information
- Ultra-clear backlit displays with icon driven menu configuration
- Easy access to all terminal for convenient installation



Relays rated 3A, 240Vac

# Convenient Installation

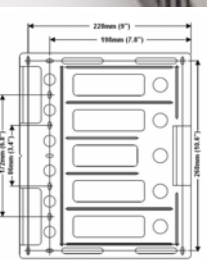
## Zareba Product Overview



Channel Module		
1	+VE	Gas
2	Signal	Detector
3	-VE	Input
4	INC	Alarm
5	IC	Relay 1
6	INO	Alarm
8	INC	Relay 2
9	IC	Alarm
10	INO	Isolated
7	+VE	Isolated
11	-VE	2-Track Output

All relays shown de-energised

- **Wall mounting bracket supplied**
  - Used as a template for drilling
  - Reduces risk of damage to controller
  - Controller 'locked' to bracket after fitting
- **Pre-formed knockouts in gland plate**
  - M20 & 3/4" NPT clearance as standard
  - No need for drilling of enclosure (swarf)
- **Front cover may be latched open**
  - Unhindered access to terminals
  - Keeps both hands free for wiring
- **Large terminal compartment**
  - Plenty of space to complete installation
- **Local instructions included on label**
  - mA version shown



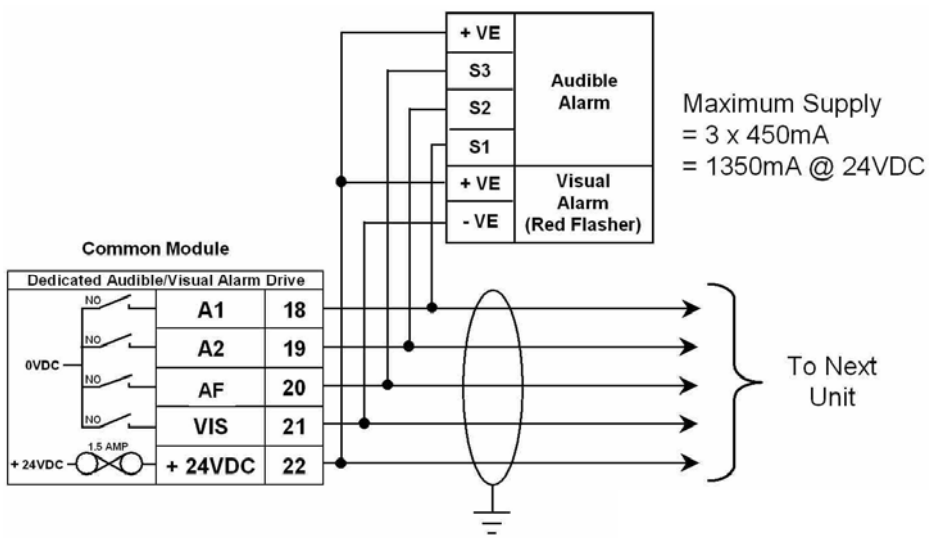
# Dedicated Alarm Drives

Zareba Product Overview



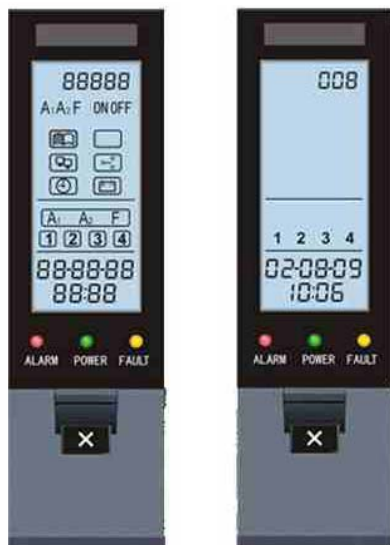
- **Powered alarm outputs**
  - No auxiliary supply required
- **0Vdc switching**
  - Suitable for wide range of suppliers
  - Enables most cost effective offering
- **Comprehensive product range**
  - Audible alarms
  - Visual alarms
  - Audiovisual alarms
  - Status indicators

} Safe & Hazardous Area Approved
- **Approved equipment included within the Zareba range**

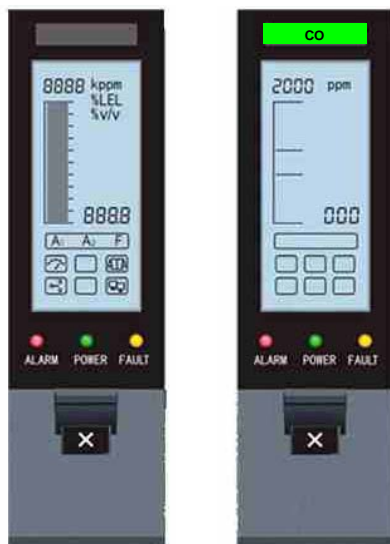


# Common Systems Approach

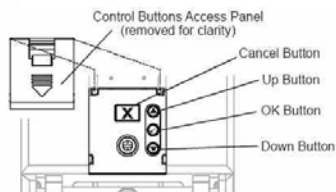
Zareba Product Overview



**Common Module**



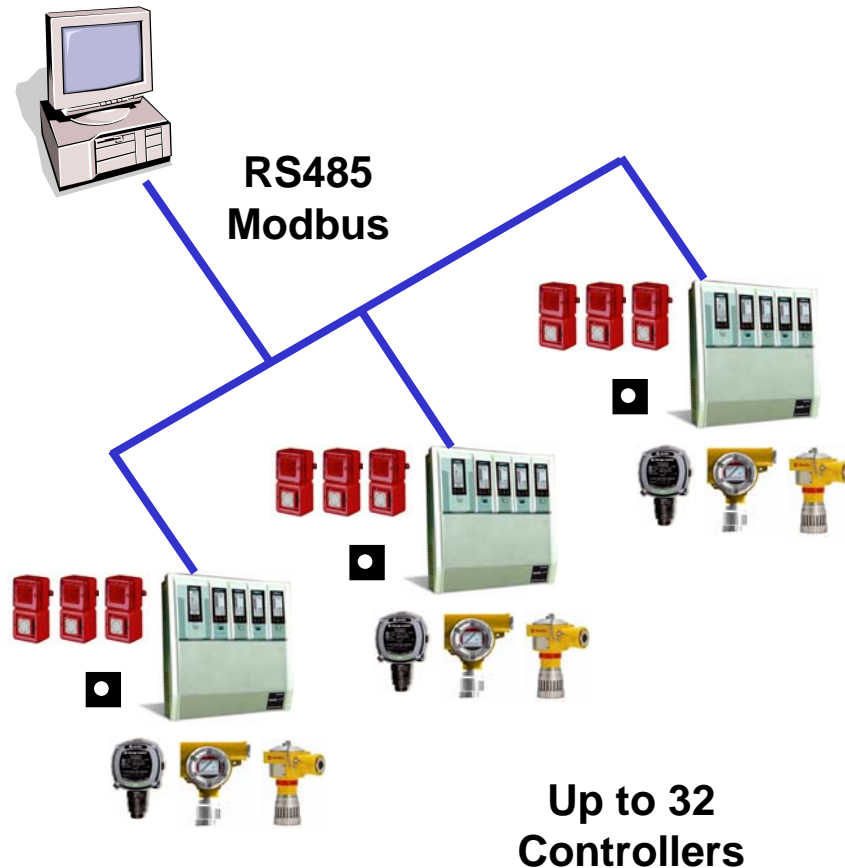
**Channel Module**



- **Common design & operation to Touchpoint 1**
  - Split information between Common and Channel Modules
  - Learn one, learn them all
- **Powder blue backlit display**
  - Excellent contrast and viewing angle
  - Can be seen in dark, poorly lit environments
- **Status indication clearly communicated**
  - Address, gas, range, units, gas reading, bar graph, alarm levels
  - Power, alarm & fault icons with LEDs and audible alarm
- **Event recording included as standard**
  - Enables review of alarm, fault and power history
  - Time and date of on/off operation logged
- **Simple pushbutton operation**
  - Normal operation: 'X' = 'Self Test' or 'Accept/Reset'
  - Configuration via 'hidden' pushbuttons & icon menu
- **Fully user configurable**
  - Gas, range, units, alarm levels
  - Relays normally energised/de-energised, latching/non-latching

# Small to Medium Systems

Zareba Product Overview



- **Local, self contained systems**
  - Detection, alarm and control
- **Supervision via central station**
  - Standard equipment and software
  - Outside Zareba scope of supply

**Provides scope for larger system solutions to customers**

# Summary

## Zareba Product Overview



- **Ideal solution for small or remote applications**
  - Self contained, universal AC/DC operation, comprehensive inputs/outputs
- **Easy to specify, install, operate and maintain**
  - All Zareba products operate via similar pushbutton menu & icons
  - All detectors installed in the same way (1 to 1, 2 to 2, 3 to 3)
  - Dedicated audiovisual alarm drives with RS4285 Modbus link